

ESSER

Product Information 8008 Fire Alarm Computer



8008 Fire Alarm Computer (Part No. 768308)

The Universal High-tech Fire Alarm Control Panel: Investment protection, Scalability and High-Tech

The 8008 Fire Alarm Computer meets highest safety standards for comprehensive fire monitoring. As an universal fire alarm control panel, it has been designed for large buildings with complex safety needs. The option of a second CPU makes it virtually fault-tolerant. The 8008 conforms to all relevant national and European standards.

Modular design and free configuration makes the 8008 a flexible device which can be easily adapted to changing requirements. This makes individual planning easy while allowing for future expansion.

The esserbus®, a short circuit and wire break tolerant ring loop system, offers maximum reliability in operation and is a particularly cost-saving investment with reduced wiring by combined ring and spur loop topology.

The 8008 connects to all single and multisensor detector types via esserbus®, from the series 9000 fire detectors to the intelligent fire detectors series 9200.

Up to 31 subscribers, such as control panels, indicating and operating panels, gateways and computer-based intelligent display stations, can co-operate in this non-hierarchical network. All subscribers have access to messages and results via essernet®.

Legacy control panels can be connected to essernet® by gateways. This upgrades older systems to the level of latest technology.

Like all Esser products, simplicity of installation and set-up, extreme reliability in operation and cost-saving are features of the 8008.

Features at a glance

- Modular design, flexible configuration - easy to adapt to changing requirements
- Double safety by optional second CPU
- Up to 40 esserbus® ring loops
- esserbus® ring loop can be combined with spur loop: 127 esserbus® subscribers can be grouped in to as many as 127 detector zones - for higher reliability, economy of scale and flexibility of planning and application
- Networking of maximum 31 control panels via essernet®
- Integration of earlier control panel generations by gateway
- Information displayed in uncoded text form
- Simple to install and set-up
- Error diagnosis at module level/automatic status analysis/remote diagnosis via PC
- Conforms to all applicable standards and regulations
- Service key box and fire department key pad
- Releasing and extinguishing system control via BSL interface module
- Integrated control panel printer; remote printer optional



Configuration for multiple applications

8008: Uncompromising Safety

Optional second CPU

The core of the 8008 is a powerful 16-bit CPU. The modern hardware and software architecture allows a simple and flexible response to any set of requirements. In certain applications a redundant second CPU is required if more than 512 detectors are connected, to ensure smooth transition in case one CPU fails. This is state-of-the-art security at its best.

Safe even if Control Panel fails

If the control panel should fail, the monitoring loop routes the fire detection and alarm signals to another point. Even if power fails, the available back-up battery ensures that the system remains active. The 8008 remains capable of detection beyond normal emergency operation.

Modular Concept provides Scalability

The 8008 hardware supports up to 40 micromodules. Hence, the system is easy to configure to the needs of different applications.

Ring Bus for Flexibility and Safety

The ring bus technology supports changes to the design and use of the system even after initial set-up.

The sensors of individual detectors/zones can be switched on and off manually or by time control. The esserbus® transmits fault and maintenance signals in addition to alarms. Moreover, the exact location of each detector can be indicated on the bus by textual information.

Connects to most Advanced Detector Types

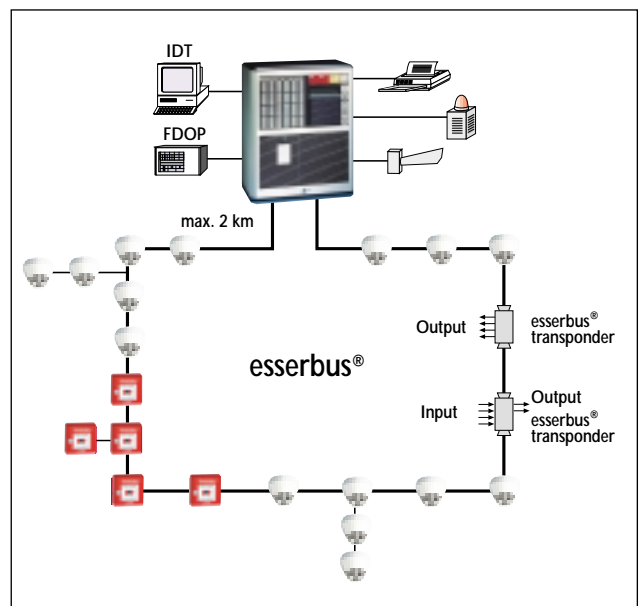
Various detector types can be connected to the 8008 Fire Alarm Computer for all-round protection. Above all, the leading edge Esser multisensor fire detectors offer unsurpassed fire detection in almost any conceivable case.

esserbus®

The esserbus® supports a combination of ring and spur loops with up to 127 detectors and esserbus® couplers that can be grouped in to as many as 127 detector zones. Even if a wire breaks, all detectors in the ring loop will be active and functioning. Only the portion between two bus subscribers will automatically disconnect.

The esserbus® couplers are bus subscribers with free-programming inputs and outputs to activate and monitor external devices or connect standard or diagnostic detectors.

The 8008 identifies automatically the ring loop wiring and determines the logic addresses of the bus

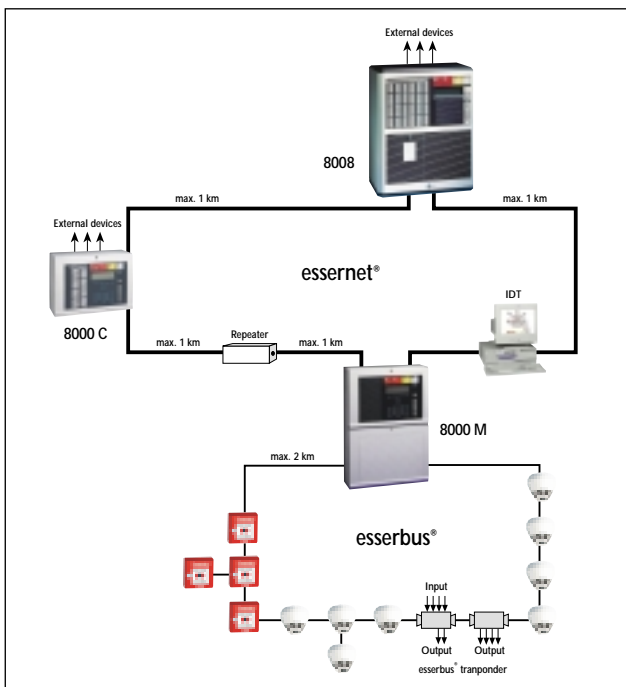


subscribers. No separate setting of addresses in the devices is needed.

essernet®

The essernet® supports up to 31 subscribers, such as control panels, indicating and operating panels, gateways and computer-based intelligent display stations in a non-hierarchical network over great distances.

Messages, such as alarm, error, switch off and other events are available to all subscribers at any point via essernet®.

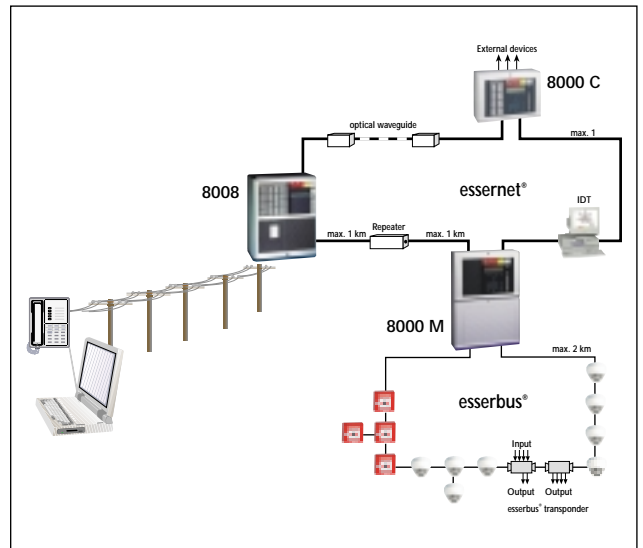


essernet®

Simple to Install and Use

Installation and set-up are as simple as all products from Esser. Installation and set-up tools ensure rapid readiness of the system. Programming is done via PC, connected directly on the control panel.

To make operation easier, all displays contain essential information. The essernet® also supports local subscribers. Alarm and status information can be displayed optionally by single zone indicator units on the control panel, local graphic layout annunciator panels or text displays or printed on a central printer or several remote printers.



Simple central monitoring by remote diagnosis function

Tele-Diagnostic Program (TEDIS)

Unforeseen circumstances often require instant information on the cause of a failure or maintenance case, not allowing exact planning of service missions, manpower requirements and technology deployment in advance. TEDIS solves this problem. The remote diagnostic program polls and displays all important data on the control panel, and from 31 subscribers via essernet®:

- all control panel data
- all current status data
- the status of each detector individually
- all customer-specific correlations

TEDIS can also be a tool to provide remote assistance via telephone.

Micromodules

Analog ring loop module (Part No. 784382)
Single ring line module for up to 127 series 9200 intelligent fire detectors or bus subscribers grouped in 127 zones; appr. 25 mA quiescent current.

4-zone fire alarm module (Part No. 784381)
4-zone card for connection of automatic and/or non-automatic standard or diagnostic fire detectors; appr. 25 mA quiescent current.

Master box interface module (Part No. 784385)
Single MFAB interface module to activate and process feedback and acknowledging signals for MFAB in continuous or intermittent mode; appr. 15 mA quiescent current.

RS232/TTY module (Part No. 784842)
Serial interface module with RS232 or TTY format option, to use with external devices, e.g., IDT, printer, RIP; appr. 35 mA quiescent current with RS232, appr. 55 mA quiescent current with TTY.

3-relay module (Part No. 787531)
3-relay module with output function; programming optionally as NO or NC contact; 3x two-state "watchdog" relay output. Max. switch capacity: 1 A per output, 30 VDC; appr. 5 mA quiescent current.

3-relay common trouble module (Part No. 787532)
3-relay module with fixed functions, e. g., common trouble, 2x two-state "watchdog" relay output with free programming feature. Max. switch capacity: 1 A/30 VDC; appr. 15 mA quiescent current.

4-relay module (Part No. 787530)
4-relay module with output function; programming optionally as NO or NC contact (no watchdog function); appr. 10 mA quiescent current. Max. switch capacity: 1 A per output, 30 VDC; max. 1 A each module.

7-output P module (Part No. 787680)
7-output open collector control module with free programming of switching functions, positive switching; appr. 15 mA quiescent current. Max. switch capacity: 0.3 A/30 VDC per output; max. 1 A each module (common +U_B)

7-output M module (Part No. 787681)
7-output open collector control module with free programming switching function, negative switching; appr. 15 mA quiescent current. Max. switch capacity: 0.3 A/30 VDC per output; max. 1 A each module (common 0 V).

Micromodules

4-output module (Part No. 787682)
4-output open collector control module with free programming switching function, potential-free; separate outputs; positive switching; appr. 15 mA quiescent current. Max. switch capacity: 0.3 A/30 VDC per output.

BSL interface module (Part No. 787533)
The purpose of the BSL interface is the connection of releasing control equipment. The relay is equipped with an extra watchdog relay; appr. 15 mA quiescent current.

essernet® ring bus module 62.5 kBd (Part No. 784840)
Network module for max. 31 subscribers, telephone line (I Y (ST) Y nx2x0.8 mm), max. cable length: 700 m between 2 subscribers; appr. 170 mA quiescent current.

essernet® ring bus module 500 kBd (Part No. 784841)
Network module for max. 31 subscribers, Cable IBM type 1 or equivalent; max. cable length: 1000 m between 2 subscribers; appr. 150 mA quiescent current.

Technical data

Mains voltage	: 230 V / 50-60 Hz / 150 VA
Power supply unit	: 12 V / 7 A
Operating voltage	: 12 VDC
Quiescent current consumption	: max. 1 A
Current for external consumers	: 4 A
Emergency power supply	: 12 V / max. 2 x 40 Ah
Protection class	: I DIN EN 60950 A1 and A2
Ambient	: R14 DIN 50019
Operating temperature	: 0 °C to 50 °C
Dimensions (W x H x D)	: 485 x 619 x 283 mm
Weight	: appr. 26 kg
Enclosure type	: IP 30

Order specifications

8008 fire alarm computer	
Standard type S 1 cabinet	768308
19" cabinet	768398
Extension housing S1E	768318
Package 8308	768428
Package 8308 with single zone indicator	768418
Package 8308 with printer	768448
Package 8308 with single zone indicator and printer	768408
Package 8318 with single zone indicator and printer	768438

VdS* approval no.: G 293022
EN license no.: G 296046

* VdS = Association of German Property Insurance Companies

esser-effeff alarm GmbH

Dieselstraße 2 · 41469 Neuss · Germany · Telephone +49 (0)2137 171 · Fax +49 (0)2137 17286

www.esser-effeff-alarm.com · E-Mail: info@esser-effeff-alarm.com