

# SANYO

## 1/3" Colour CCD DSP High-Resolution Camera

- Super high horizontal resolution of 520 TV lines
- High sensitivity — minimum illumination of 0.5 lx
- Built-in DSP (digital signal processing) circuitry
- Two types of backlight compensation
- 24V AC and 12 to 15V DC, dual power operation

VCC-6585P Colour  
PAL

**DIGITAL**  
.....

**520 TVL**  
*SUPER HIGH RESOLUTION*  
**0.5 LUX**  
*HIGH SENSITIVITY*



**Made in Japan**

The product introduced here is manufactured in Japan utilizing advanced technologies and quality control.

Lens not supplied with camera.

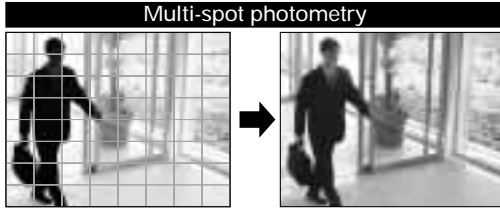
# VCC-6585P

## Main Features

- 1/3-inch CCD image sensor with approx. 470,000 picture elements.
- Super high horizontal resolution of 520 TV lines for maximum detail and a noticeably sharper, clearer picture.
- High sensitivity for monitoring at a minimum required illumination of 0.5 lx with F1.2 lens at high gain.
- Built-in DSP (digital signal processing) circuitry delivers superior colour reproduction and reduced noise.
- Two types of backlight compensation selectable.

### Multi-spot photometry system:

Luminance is measured in 64 separate areas for optimum backlight compensation even for peripheral and moving objects; features selectable normal and high modes.



### Centre-zone photometry system:

Luminance measured at centre and automatic lens aperture adjustment enable a clear image even when backlit.

## Other Features

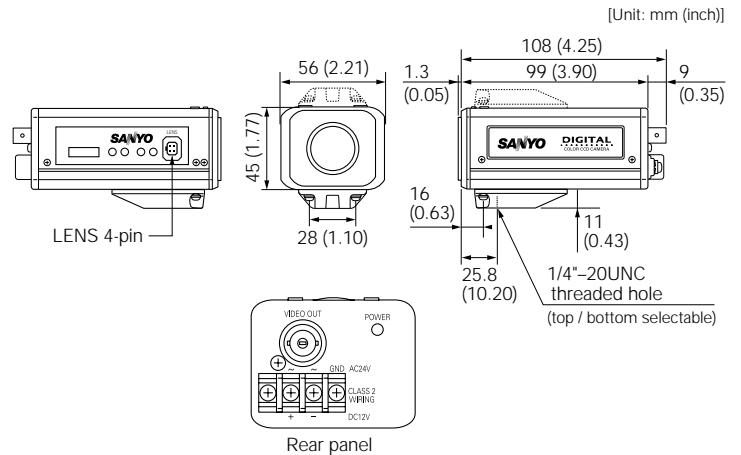
- Auto-tracing or manual white balance selectable.
- Electronic iris for indoor use with manual or fixed iris lens.
- Runs on 24V AC or 12 to 15V DC power sources.

## Specifications

Model No.		VCC-6585P
Scanning system		PAL Standard 625 Lines, 25 frames/sec.
Image sensor		1/3" (approx. 4.8 x 3.6 mm) interline transfer method CCD
Effective picture elements		752 (H) x 582 (V)
Resolution		520 TV lines (horizontal), 400 TV lines (vertical)
Minimum illumination		0.5 lx (GAIN HI) / 1.0 lx (GAIN NORM) at F1.2
Video output level		1.0 V (p-p) / 75 ohms, composite
Video S/N ratio		More than 50 dB (AGC off)
Backlight compensation		ON / OFF — Slide SW (side) ON = Multi-spot photometry (2-mode) / Centre-zone photometry system — Slide SW (side) (activated when auto iris lens used)
White balance		Auto / Manual — Slide SW (side)
Gain control		Normal / High — Automatic
Light control		Auto iris / Electronic iris
Lens mount		CS mount (top/bottom selectable)
Flange back		12.5 mm ±0.5 mm adjustment
Auto iris lens		DC type
Auto iris output		DC: Drive coil (+, -), Brake (Damp) coil (+, -)
Lens iris level		LEVEL: L to H — VR (side)
Electronic iris		ON (E) / OFF (A) — Slide SW (side)
Electronic iris range		1.0 to 50,000 lx (with F1.2 lens) (GAIN NORM)
Synchronizing system		Internal sync / Line lock — Slide SW (side)
V phase adjustment		LINE PHASE — VR (rear)
Sockets	Video signal	VIDEO OUT — BNC (rear)
	Auto iris lens	LENS — 4-pin (side)
	Power supply	24V AC, GND — 3-pin terminal (rear) 12 to 15V DC, GND — 2-pin terminal (rear)
Operating conditions	Operating	Temperature: -10°C to 50°C [14°F to 122°F], Humidity: within 90% RH
	Storage	Temperature: -20°C to 70°C [-4°F to 158°F], Humidity: within 70% RH
Power requirement		24V AC, 50 Hz / 12 to 15V DC
Power consumption (approx.)		3.6 W
Camera mount		1/4" – 20 UNC (top/bottom selectable)
Dimensions (approx.)		56 (W) x 45 (H) x 99 (D) mm [2.21 (W) x 1.77 (H) x 3.9 (D) in.] (excluding protrusions)
Weight (approx.)		280 g [9.88 oz] (without lens)

NOTE: Specifications subject to change without notice.

## Dimensions



[Unit: mm (inch)]

### 520 TVL Cameras for Greater Peace of Mind

 <b>VCC-5885P</b> 1/3" Colour CCD DSP High-resolution Camera	 <b>VCC-6592P/6594P</b> 1/3" Colour CCD DSP High-sensitivity/resolution Camera	 <b>DAY NIGHT</b> <b>VCC-4592P/4594P</b> 1/3" Colour CCD DSP High-resolution Day/Night Camera
 <b>VCC-9400P DAY NIGHT</b> 1/4" Colour CCD DSP High-resolution Day/Night Speed Dome Camera	 <b>VCC-9300P</b> 1/4" Color CCD DSP High-resolution Speed Dome Camera	 <b>VCC-ZM400P DAY NIGHT</b> 1/4" Colour CCD DSP High-resolution Day/Night AF Zoom Camera
 <b>VCC-ZM300P</b> 1/4" Colour CCD DSP High-resolution AF Zoom Camera	 <b>VCC-XZ400P DAY NIGHT</b> 1/4" Colour CCD DSP High-resolution Day/Night Weatherproof Camera	 <b>VDC-D1185VP DAY NIGHT</b> 1/4" Colour CCD DSP High-resolution Day/Night Vandal resistant Dome Camera
 <b>VDC-D2185VP DAY NIGHT</b> 1/4" Colour CCD DSP High-resolution Day/Night Vandal resistant Dome Camera		

**Caution:** Please consult the instruction manual to ensure safe and proper operation of the product.



DI Solutions Company of Sanyo Electric Co., Ltd. obtained Quality Management System ISO9001 and Environmental Management System ISO14001 certifications.

Distributed by:



SANYO Electric Co., Ltd.  
[www.sanyosecurity.com](http://www.sanyosecurity.com)  
©2004 SANYO Printed in Japan '04.6.MA.

SMS092