

Features

- SONY 1/3" Super HAD High-Resolution Color CCD
- Vari-Focal DC Auto Iris Lens Built-in 4mm~9mm
- Super Low Light Sensitivity Color 0.3 Lux, B/W 0.002 Lux
- On Screen Display Built-in / Motion Detection Built-in
- 3-Axis Rotation
- Waterproof (IP65)

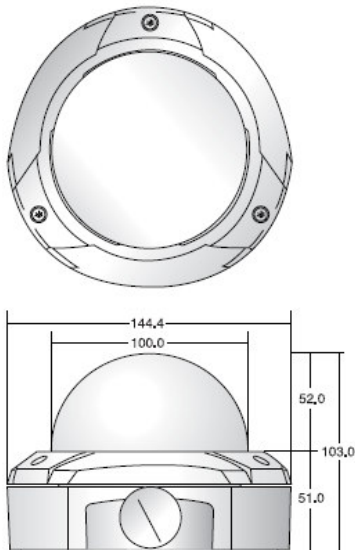


CE FC

High Resolution Dome Color Camera DCC-500DV

4~9mm Vari-focal Lens, 530 TV Lines, Day & Night

Dimensions



(UNIT : mm)

Technical Specifications

MODEL	DCC-500DV(NTSC)	DCC-500DV(PAL)
Image Sensor	1/3" Interline Transfer Type Sony CCD	
Total Pixels	811(H)X508(V)	795(H)X596(V)
Effective Pixels	768(H)X494(V)	752(H)X582(V)
Resolution	More than 530 TV lines	
Scanning Frequency	15.734KHz(H), 60(V)	15.625KHz(H), 50(V)
Shutter Speed	1/60~1/100,000 sec	1/50~1/100,000 sec
Min. Illumination	Color : 0.3 Lux, B/W : 0.002 Lux (Sense-up : Auto(2x~128x))	
Day & Night	D&N Function by Digital Change : Auto/Off	
Shutte	ESL / Manual / Flickerless	
White Balance	ATW / AWC / MANUAL	
BLC	Low / Middle / High / Off	
AGC	Low / Middle / High / Off	
DNR	Auto / Off	
Privacy Zone & Motion Detection	4 Programmable Zone	
Sharpness	On(level : 0 ~ 31) / Off	
Camera ID	On / Off	
S/N Ratio	More than 50dB	
Video Output	Composite video output 75 ohm terminated	
Lens	DC Auto Iris Lens 4 ~ 9 mm (F:1.6)	
Sync. System	Internal	
Operating Humidity	30 % ~ 90 % RH	
Operating Temp.	-10 °C to 50°	
Dimension	φ100(Bubble) x 103(H)	
Weight	About 800g	
Power Consumption	180mA	
Power Supply	DC 12 V(10.2V~14.5 V)	